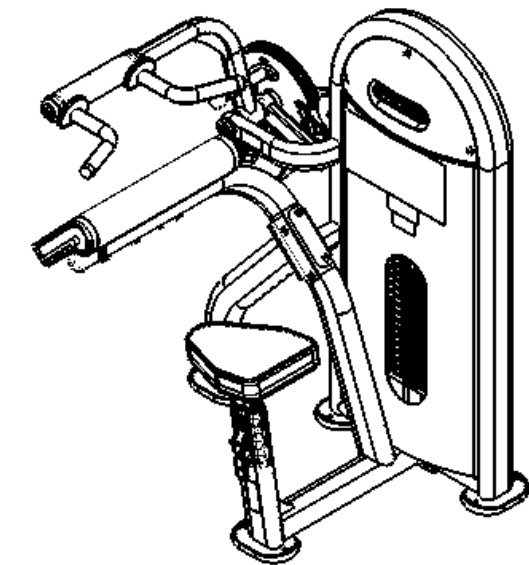
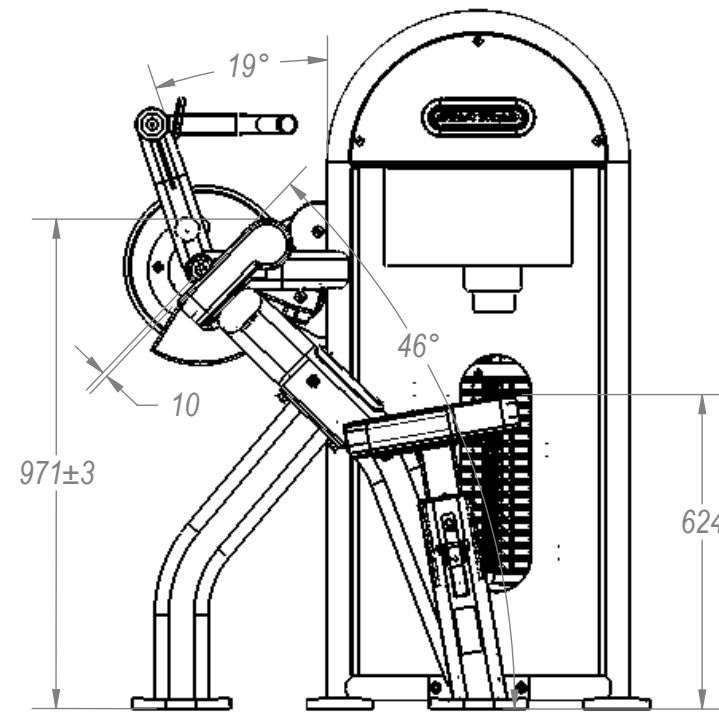
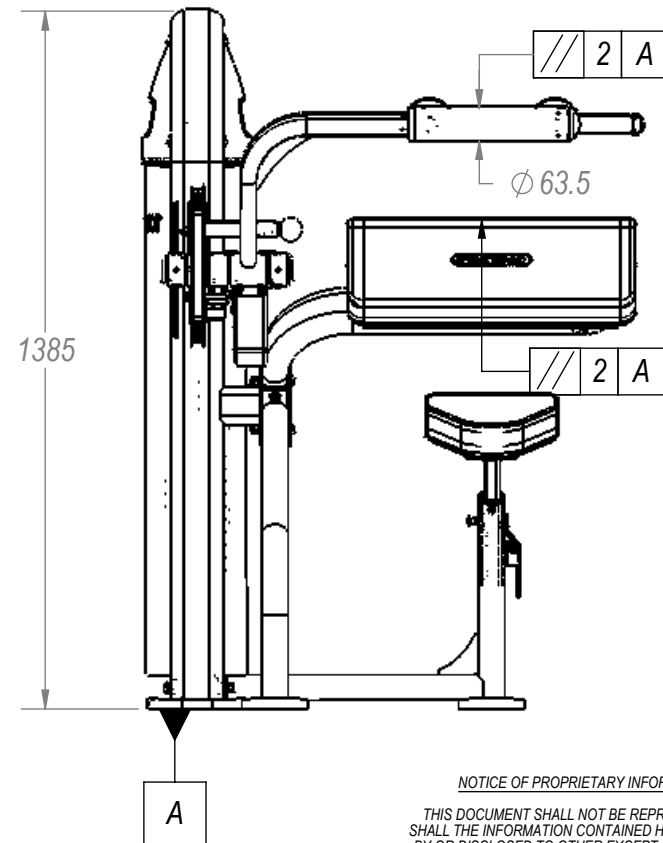
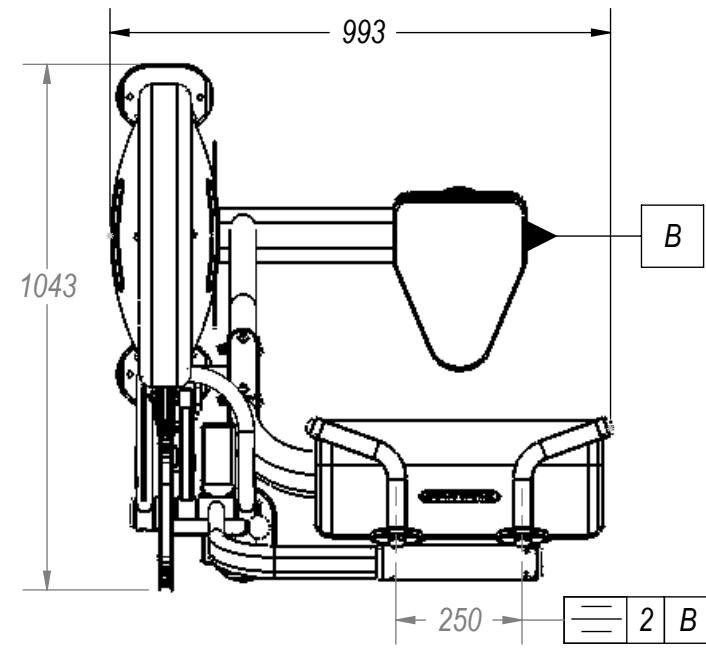


REVISION HISTORY				
REV	DATE	DESCRIPTION	ECO	BY
A	06-25-08	PRODUCTION RELEASE	11956	AK
B	05-20-09	P/N 730-1015 SUB-WELDMENT NEW PULLEY P/N IN-D10140105 REMOVE P/N 730-0721 (QTY 1) 75MM PULLEY AND REPLACE WITH P/N 730-0663 (QTY 1) 52MM DIAMETER PULLEY	12125	AK
C	06-23-10	BELT CHANGE WITH CABLE, UPDATE 3D MODEL & P/N	13343	TZ



NOTICE OF PROPRIETARY INFORMATION  
 THIS DOCUMENT SHALL NOT BE REPRODUCED NOR SHALL THE INFORMATION CONTAINED HEREIN BE USED BY OR DISCLOSED TO OTHER EXCEPT AS EXPRESSLY AUTHORIZED BY UNISEN INC. D.B.A. STAR TRAC.

**DOCUMENT STATUS:**

CLASS OF WORK	UNLESS OTHERWISE SPECIFIED DIMS ARE IN mm. TOLERANCES FOR MEASURE OF LENGTH ARE:							ANGLES = ±2°
	0.5 to 3	> 3 to 6	> 6 to 30	> 30 to 120	> 120 to 400	> 400 to 1000	> 1000 to 2000	
FINE	±0.05	±0.05	±0.1	±0.15	±0.2	±0.3	±0.5	----
MEDIUM X	±0.1	±0.1	±0.2	±0.3	±0.5	±0.8	±1.2	±2
COARSE	±0.2	±0.3	±0.5	±0.8	±1.2	±2	±3	±4
VERY COARSE	----	±0.5	±1	±1.5	±2.5	±4	±6	±8

MATERIAL  
SEE BOM

FINISH  
 FRAME COLOR: STAR TRAC SILVER (HP FULLER) UPHOLSTERY  
 COLOR: STAR TRAC GREY (SLATE)  
 VENDOR: IMPULSE P/N: IL-D5120C

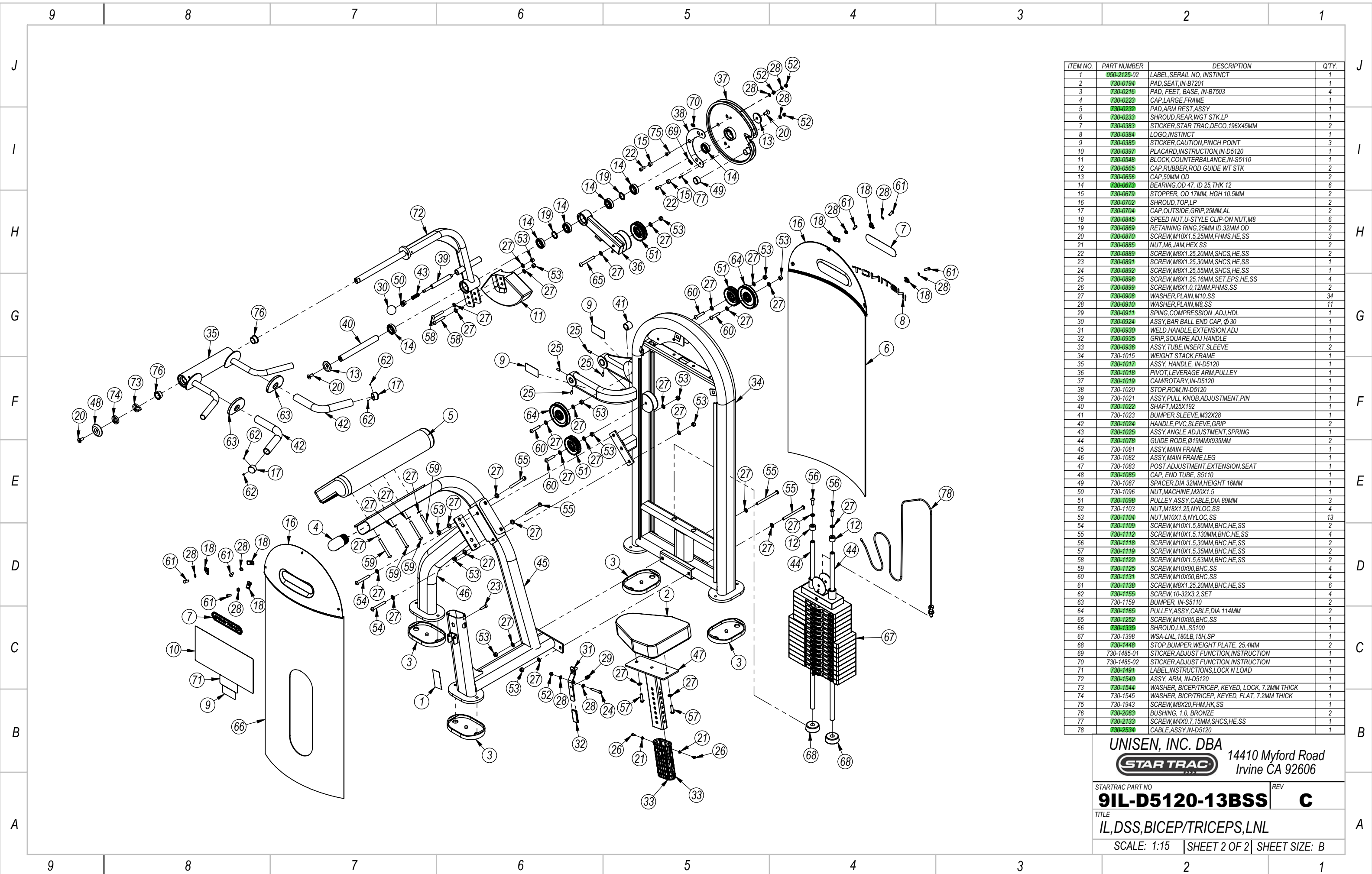
THIRD ANGLE PROJECTION



DRAWN	INITIAL	DATE
CHECKED	TZ	01/03/10
APPROVED		
	U.O.M.	MM

UNISEN, INC. DBA  
**STAR TRAC**  
 14410 Myford Road  
 Irvine CA 92606

STARTRAC PART NO	REV
<b>9IL-D5120-13BSS</b>	<b>C</b>
TITLE <b>IL,DSS,BICEP/TRICEPS,LNL</b>	
SCALE: 1:15	SHEET 1 OF 2   SHEET SIZE: B



ITEM NO.	PART NUMBER	DESCRIPTION	QTY.
1	050-2125-02	LABEL, SERAIL, NO, INSTINCT	1
2	730-0194	PAD, SEAT, IN-B7201	1
3	730-0216	PAD, FEET, BASE, IN-B7503	4
4	730-0223	CAP, LARGE, FRAME	1
5	730-0232	PAD, ARM REST, ASSY	1
6	730-0233	SHROUD, REAR, WGT STK, LP	1
7	730-0383	STICKER, STAR TRAC, DECO, 196X45MM	2
8	730-0384	LOGO, INSTINCT	1
9	730-0385	STICKER, CAUTION, PINCH POINT	3
10	730-0397	PLACARD, INSTRUCTION, IN-D5120	1
11	730-0548	BLOCK, COUNTERBALANCE, IN-S5110	1
12	730-0565	CAP, RUBBER, ROD GUIDE WT STK	2
13	730-0656	CAP, 50MM OD	2
14	730-0673	BEARING, OD 47, ID 25, THK 12	6
15	730-0679	STOPPER, OD 17MM, HGH 10.5MM	2
16	730-0702	SHROUD, TOP, LP	2
17	730-0704	CAP, OUTSIDE, GRIP, 25MM, AL	2
18	730-0845	SPEED NUT, U-STYLE CLIP-ON NUT, M8	6
19	730-0869	RETAINING RING, 25MM ID, 32MM OD	2
20	730-0870	SCREW, M10X1.5, 25MM, FHMS, HE, SS	3
21	730-0885	NUT, M6, JAM, HEX, SS	2
22	730-0889	SCREW, M8X1.25, 20MM, SHCS, HE, SS	2
23	730-0891	SCREW, M8X1.25, 30MM, SHCS, HE, SS	1
24	730-0892	SCREW, M8X1.25, 55MM, SHCS, HE, SS	1
25	730-0896	SCREW, M8X1.25, 16MM, SET, EPS, HE, SS	4
26	730-0899	SCREW, M6X1.0, 12MM, PHMS, SS	2
27	730-0908	WASHER, PLAIN, M10, SS	34
28	730-0910	WASHER, PLAIN, M8, SS	11
29	730-0911	SPRING, COMPRESSION, ADJ, HDL	1
30	730-0924	ASSY, BAR BALL END CAP, Ø 30	1
31	730-0930	WELD HANDLE, EXTENSION, ADJ	1
32	730-0935	GRIP, SQUARE, ADJ HANDLE	1
33	730-0936	ASSY, TUBE, INSERT, SLEEVE	2
34	730-1015	WEIGHT STACK, FRAME	1
35	730-1017	ASSY, HANDLE, IN-D5120	1
36	730-1018	PIVOT, LEVERAGE ARM, PULLEY	1
37	730-1019	CAM, ROTARY, IN-D5120	1
38	730-1020	STOP, ROM, IN-D5120	1
39	730-1021	ASSY, PULL KNOB, ADJUSTMENT, PIN	1
40	730-1022	SHAFT, M25X192	1
41	730-1023	BUMPER, SLEEVE, M32X28	1
42	730-1024	HANDLE, PVC, SLEEVE, GRIP	2
43	730-1025	ASSY, ANGLE, ADJUSTMENT, SPRING	1
44	730-1078	GUIDE RODE, Ø19MMX935MM	2
45	730-1081	ASSY, MAIN FRAME	1
46	730-1082	ASSY, MAIN FRAME, LEG	1
47	730-1083	POST, ADJUSTMENT, EXTENSION, SEAT	1
48	730-1085	CAP, END TUBE, S5110	1
49	730-1087	SPACER, DIA 32MM, HEIGHT 16MM	1
50	730-1096	NUT, MACHINE, M20X1.5	1
51	730-1098	PULLEY ASSY, CABLE, DIA 89MM	3
52	730-1103	NUT, M18X1.25, NYLOC, SS	4
53	730-1104	NUT, M10X1.5, NYLOC, SS	13
54	730-1109	SCREW, M10X1.5, 80MM, BHC, HE, SS	2
55	730-1112	SCREW, M10X1.5, 130MM, BHC, HE, SS	4
56	730-1118	SCREW, M10X1.5, 30MM, BHC, HE, SS	2
57	730-1119	SCREW, M10X1.5, 35MM, BHC, HE, SS	2
58	730-1122	SCREW, M10X1.5, 63MM, BHC, HE, SS	2
59	730-1125	SCREW, M10X90, BHC, SS	4
60	730-1131	SCREW, M10X50, BHC, SS	4
61	730-1138	SCREW, M8X1.25, 20MM, BHC, HE, SS	6
62	730-1155	SCREW, 10-32X3.2, SET	4
63	730-1159	BUMPER, IN-S5110	2
64	730-1165	PULLEY, ASSY, CABLE, DIA 114MM	2
65	730-1252	SCREW, M10X85, BHC, SS	1
66	730-1335	SHROUD, LNL, S5100	1
67	730-1398	WSA-LNL, 180LB, 15H, SP	1
68	730-1448	STOP BUMPER, WEIGHT PLATE, 25.4MM	2
69	730-1485-01	STICKER, ADJUST FUNCTION, INSTRUCTION	1
70	730-1485-02	STICKER, ADJUST FUNCTION, INSTRUCTION	1
71	730-1491	LABEL, INSTRUCTIONS, LOCK N LOAD	1
72	730-1540	ASSY, ARM, IN-D5120	1
73	730-1544	WASHER, BICEP/TRICEP, KEYED, LOCK, 7.2MM THICK	1
74	730-1545	WASHER, BICEP/TRICEP, KEYED, FLAT, 7.2MM THICK	1
75	730-1943	SCREW, M8X20, FHMS, HK, SS	1
76	730-2083	BUSHING, 1.0, BRONZE	2
77	730-2133	SCREW, M4X0.7, 15MM, SHCS, HE, SS	1
78	730-2534	CABLE, ASSY, IN-D5120	1

UNISEN, INC. DBA  
**STARTRAC**  
 14410 Myford Road  
 Irvine CA 92606

STARTRAC PART NO	REV
<b>9IL-D5120-13BSS</b>	<b>C</b>
TITLE	
<b>IL, DSS, BICEP/TRICEPS, LNL</b>	
SCALE: 1:15	SHEET 2 OF 2   SHEET SIZE: B